

# Type 1 surge protection plug - FLT-BK 350 N/PE-P



2906394

<https://www.phoenixcontact.com/in/products/2906394>

Please be informed that the data shown in this PDF document is generated from our Online Catalog. Please find the complete data in the user documentation. Our General Terms of Use for Downloads are valid.

---



Type 1 / Class I / B arrester (lightning current arrester) replacement plug for path N-PE, can be combined with FLASHTRAB compact series of products.

---

# Type 1 surge protection plug - FLT-BK 350 N/PE-P



2906394

<https://www.phoenixcontact.com/in/products/2906394>

## Commercial Data

Item number	2906394
Packing unit	10 pc
Minimum order quantity	50 pc
Sales Key	CL1
Product Key	CL1115
GTIN	4055626070247
Weight per Piece (including packing)	207.35 g
Weight per Piece (excluding packing)	207.35 g
Customs tariff number	85363010
Country of origin	IN

# Type 1 surge protection plug - FLT-BK 350 N/PE-P



2906394

<https://www.phoenixcontact.com/in/products/2906394>

## Technical Data

### Product properties

IEC test classification	I + II
	T1 + T2
EN type	T1 + T2
Type	Male
Number of positions	1
Surge protection fault message	optical

### Insulation characteristics

Overvoltage category	III
Pollution degree	2

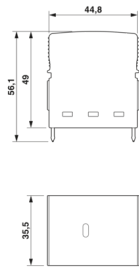
### Electrical properties

Nominal frequency $f_N$	50 Hz (60 Hz)
-------------------------	---------------

### Connection data

Connection method	pluggable
-------------------	-----------

### Dimensions

Dimensional drawing	
Width	35.5 mm
Width	35.5 mm
Height	44.8 mm
Height	44.8 mm
Depth	56.1 mm
Depth	56.1 mm
Horizontal pitch	2 Div.

### Material specifications

Color	jet black RAL 9005
Flammability rating according to UL 94	V-0
CTI value of material	600
Insulating material	PA 6.6/PBT
Material group	I
Housing material	PBT

# Type 1 surge protection plug - FLT-BK 350 N/PE-P



2906394

<https://www.phoenixcontact.com/in/products/2906394>

## Mechanical properties

### Mechanical data

Open side panel	No
-----------------	----

## Protective circuit

Mode of protection	N-PE
Nominal voltage $U_N$	240 V AC (TN - only N-PE)
	240 V AC (TT - only N-PE)
Nominal frequency $f_N$	50 Hz (60 Hz)
Maximum continuous voltage $U_C$	350 V AC
Residual current $I_{PE}$	$\leq 0.01$ mA
Nominal discharge current $I_n$ (8/20) $\mu$ s	100 kA
Impulse discharge current (10/350) $\mu$ s, charge	50 As
Impulse discharge current (10/350) $\mu$ s, specific energy	2500 kJ/ $\Omega$
Impulse discharge current (10/350) $\mu$ s, peak value $I_{imp}$	100 kA
Follow current interrupt rating $I_{fi}$	100 A (350 V AC)
Voltage protection level $U_p$	$\leq 1.5$ kV
Residual voltage $U_{res}$	$\leq 1.5$ kV (at $I_n$ )
	$\leq 1$ kV (at 10 kA)
	$\leq 0.9$ kV (at 5 kA)
	$\leq 0.8$ kV (at 3 kA)
Front of wave sparkover voltage at 6 kV (1.2/50) $\mu$ s	$\leq 1.5$ kV
TOV behavior at $U_T$	1200 V AC (200 ms / withstand mode)
Response time $t_A$	$\leq 100$ ns

## Environmental and real-life conditions

### Ambient conditions

Degree of protection	IP20
Ambient temperature (operation)	-40 °C ... 80 °C
Ambient temperature (storage/transport)	-40 °C ... 80 °C
Altitude	$\leq 2000$ m (amsl (above mean sea level))
Permissible humidity (operation)	5 % ... 95 %
Shock (operation)	25g (Half-sine / 11 ms / 3x $\pm X$ , $\pm Y$ , $\pm Z$ )
Vibration (operation)	5g (5 - 500 Hz/2.5 h/X, Y, Z)

## Approval data

### UL specifications

Maximum continuous operating voltage MCOV	350 V AC
Voltage protection rating VPR	1200 V
Nominal discharge current $I_n$	20 kA
Mode of protection	N-G
Nominal frequency	50/60 Hz

# Type 1 surge protection plug - FLT-BK 350 N/PE-P



2906394

<https://www.phoenixcontact.com/in/products/2906394>

SPD Type	1CA
----------	-----

## Standards and regulations

Standards/specifications	IEC 61643-11
Standards/specifications	EN 61643-11

## Mounting

Mounting type	on base element
---------------	-----------------

# Type 1 surge protection plug - FLT-BK 350 N/PE-P

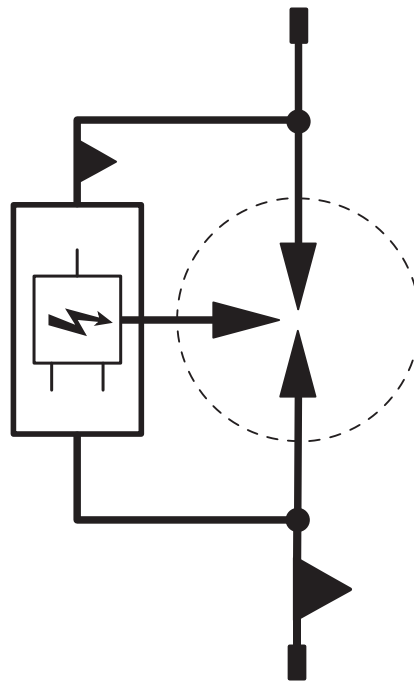
2906394

<https://www.phoenixcontact.com/in/products/2906394>



## Drawings

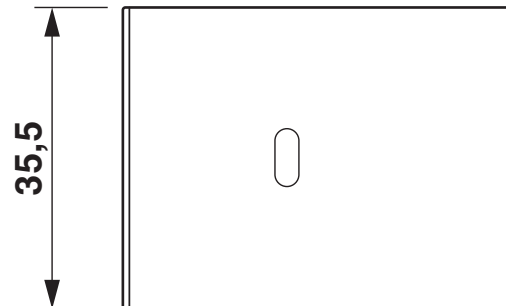
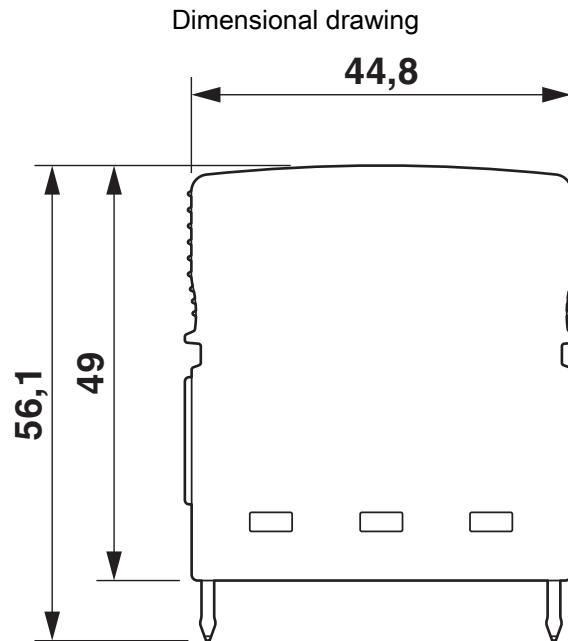
Circuit diagram



# Type 1 surge protection plug - FLT-BK 350 N/PE-P

2906394

<https://www.phoenixcontact.com/in/products/2906394>



Phoenix Contact 2022 © - all rights reserved  
<https://www.phoenixcontact.com>

PHOENIX CONTACT (I) Pvt. Ltd.  
A-58/2, Okhla Industrial Area, Phase - II, New Delhi-110 020

+91.1275.71420  
[info@phoenixcontact.co.in](mailto:info@phoenixcontact.co.in)